

**SPRO**<sup>®</sup> IP



# DHANPRIPQ40/0832R

4 MEGAPIXEL ANPR IP IR BULLET CAMERA



## Key Features:

- High-performance CMOS image sensor and processor that supports continuously extracting metadata 24/7.
- Adopts intelligent deep learning algorithms and supports recognition of unlicensed vehicles and the type, brand and colour of vehicles.
- Built-in signal port, data port, communication port and remote controllers assist in controlling external devices such as entry and exit barriers.
- Built-in LED for simplified installation and commissioning.
- All-in-one structure with junction box and bracket, and it is also low power consumption.
- IP67 and IK10 rated.
- Supports intrusion and loitering detection and triggers light and voice alarms when perimeter events occur to actively deter targets. Custom audios can also be imported and edited.
- Easily adapts to scenarios through its motorized vari-focal lens.
- DC12V/POE+

## SPECIFICATIONS

<b>Model Number</b>	DHANPRIPQ40/0832R
<b>Image Sensor</b>	1/1.8" CMOS
<b>Image Resolution</b>	2688 x 1520
<b>Electronic Shutter Speed</b>	Auto / Manual 1/25 s-1/100,000s

(continued)

<b>Max. Detection Speed</b>	74 mph (120 km/h)	
<b>Min. Illumination</b>	0.001 Lux@F1.6 (Colour, 30 IRE) 0.0002 Lux@F1.6 (B/W, 30 IRE) 0 Lux (Illuminator on)	
<b>RAM</b>	4GB	
<b>ROM</b>	1GB	
<b>S/N Ratio</b>	>56dB	
<b>Scanning System</b>	Progressive scanning	
<b>Lens</b>		
<b>Focal Length</b>	8 mm–32 mm	
<b>Field of View</b>	H: 39.9° (W)—15.1° (T) V: 21.8° (W)—8.5° (T) D: 46.6° (W)—17.4° (T)	
<b>Focus Control</b>	Auto, area focus, manual	
<b>Number of Lens</b>	1	
<b>Lens Type</b>	Motorised Vari-focal	
<b>Max. Aperture</b>	1.6	
<b>Iris Control</b>	P-Iris	
<b>DORI Distance</b>	<b>W:</b>	<b>T:</b>
	<b>Detect:</b> 160.0 m (524.93 ft)	<b>Detect:</b> 406.9 m (1334.97 ft)
	<b>Observe:</b> 64.0 m (209.97 ft)	<b>Observe:</b> 162.8 m (534.12 ft)
	<b>Recognise:</b> 32.0 m (104.99 ft)	<b>Recognise:</b> 81.4 m (267.06 ft)
	<b>Identify:</b> 16.0 m (52.49 ft)	<b>Identify:</b> 40.7 m (133.53 ft)
<b>Illuminator</b>		
<b>Illuminator Number</b>	4	
<b>Illuminator On/Off Control</b>	Auto, Manual	
<b>Illuminator Type</b>	Dual Illuminators (730 nm IR/warm light)	
<b>Illuminator Distance</b>	ANPR: 30 m (98.43 ft) Video monitoring: 60 m (196.85 ft)	
<b>Smart Illumination</b>	According to the brightness of the environment, the camera automatically adjusts the intensity of its light to reveal the details of moving targets. Devices with warm light can automatically adjust the light intensity according to the time.	
<b>Infrared Wavelength</b>	730 nm	

Video	
<b>Video Resolution</b>	Main stream: 4M (2688 × 1520)/1080p (1920 × 1080)/720p (1280 × 720) Sub stream: 720p (1280 × 720)/960H (960 × 576, 960 × 480) /D1 (704 × 576, 704 × 480)/CIF (352 × 288, 352 × 240)
<b>Stream</b>	PAL: Main stream (2688 × 1520@25 fps, 1920 × 1080@25 fps, 1280 × 720@25 fps), sub stream (1280 × 720@25 fps, 960 × 576@25 fps, 704 × 576@25 fps, 352 × 288@25 fps); NTSC: Main stream (2688 × 1520@30 fps, 1920 × 1080@30 fps, 1280 × 720@30 fps), sub stream (1280 × 720@30 fps, 960 × 480@30 fps, 704 × 408@30 fps, 352 × 240@30 fps)
<b>Video Compression</b>	H.264H; H.264B; H.264M by default; H.265; MJPEG; H.264M
<b>Video Bit Rate</b>	H.264M: 2,179 kbps–13,074 kbps H.264H: 2,179 kbps–13,074 kbps H.265: 2,179 kbps–13,074 kbps MJPEG: 6,537 kbps–39,223 kbps
<b>Scene Self-adaptation (SSA)</b>	Yes
<b>Gain Control</b>	Manual; Auto
<b>Noise Reduction</b>	3D NR
<b>Region of Interest (RoI)</b>	Yes, 3
<b>Image Tampering Prevention</b>	Yes. Watermarks can be added to video and images. The watermark can also be verified.
<b>Bit Rate Control</b>	CBR; VBR
Function	
<b>Storage</b>	Built-in TF card port. Supports Kingston 16 G, 32 G, 128 G, 256 G
<b>Restricted List / Trusted List</b>	Allow list: 110,000 Blocklist: 110,000
<b>IVS</b>	Intrusion detection, loitering detection, up to 4 areas can be set.
<b>Basic Event</b>	Alarms for events of defocus, no storage card error, network disconnection, IP conflict, and illegal access.
<b>Sound and Light Alarm</b>	Yes, blue & red indicator, and supports broadcasting custom audio.

<b>Alarm Linkage</b>	Upload to FTP/Memory card, notify monitoring centre, send e-mail, trigger alert output, snapshot and active deterrence.
<b>Capture Distance</b>	8 m–30 m (26.25 ft–98.43 ft)
<b>Detected Width</b>	6 m–8 m (19.69 ft–26.25 ft)
<b>Network</b>	
<b>Network Protocol</b>	HTTP; Https; 802.1x; TCP; ARP; RTSP; RTP; UDP; RTCP; SMTP; FTP; DHCP; DNS; IPv4/v6; NTP; SFTP; DDNS; SNMP; PPPoE
<b>API</b>	Yes
<b>SDK</b>	Yes
<b>Interoperability</b>	ONVIF (Profile S/Profile T); CGI; ITSAPI; P2P
<b>Management Software</b>	DMSS
<b>Security</b>	Username and password; MAC address; HTTPS; IEEE 802.1x; network access control
<b>Browser</b>	IE; Chrome; Firefox
<b>Image</b>	
<b>Image Encoding Format</b>	JPEG
<b>Image Setting</b>	Brightness; contrast; saturation; gamma; sharpness; gain; white balance
<b>Day/Night</b>	IR filter, support three modes: Colour ; B/W; auto
<b>WDR</b>	140 dB
<b>HLC</b>	Yes
<b>BLC</b>	Yes
<b>White Balance</b>	Auto; Regional Custom; Manual; Outdoor; Natural; Street Lamp
<b>Digital Detail Enhancement</b>	Yes
<b>OSD Overlay</b>	Supports overlay of time; address (position of channel), lane (number/direction), plate (number and colour), vehicle (speed, colour, type)

Audio	
<b>Audio Port</b>	Yes
<b>Built-in MIC</b>	Yes; Pick-up distance: 3m (9.84ft), Sampling Rate:48k
<b>Built-in Speaker</b>	Yes; Power:2W
Port	
<b>Audio Output</b>	1 channel (RCA port)
<b>Network Port</b>	RJ-45 (10/100/1000 self-adaptive Ethernet Port)
<b>Alarm Input</b>	2, optocoupler input (wet node on-off value: 5 V)
<b>Alarm Output</b>	2, relay output (2A 30 VDC/0.5A 125 VAC), which can be connected to devices such as barriers
<b>RS-485</b>	2 (half duplex, Transparent, DHRS, Push Data through Serial Port)
<b>Reset Button</b>	Yes
<b>Wiegand</b>	1 channel, SHA-1 26 bit
Performance	
<b>Max. Number of Passed Vehicles</b>	10,000
<b>Max. Number of Connections</b>	10
Intelligence	
<b>AI Recognition</b>	Recognises vehicle types, vehicle signs, vehicle color, vehicle plate, plate, vehicle without plate.
<b>Video Metadata</b>	Displays the intelligent frame, plate and vehicle paths.
<b>Vehicle Brand</b>	Recognises 147 vehicle logos.
<b>Vehicle Colour</b>	Recognises 12 colors: Grey, black, white, silver, blue, green, purple, red, orange, pink, brown, and yellow.
<b>Vehicle Type Recognition</b>	Recognises 10 vehicle types: Large Bus, Heavy Truck, Medium Truck, Sedan, Van, Light Truck, Medium Bus, SUV, MPV, Pickup

**Country and Region**

**Supported by ANPR**

Baseline support:

GCC (U.A.E., Saudi Arabia, Morocco, Oman, Iraq, Egypt, Jordan, Qatar, Kuwait, Bahrain, Lebanon)

Europe (Netherlands, France, Germany, Britain, Italy, Poland, Belgium, Bulgaria, Serbia, Slovakia, Spain, Denmark, Turkey, Israel, Czech Republic, Bosnia and Herzegovina, Switzerland, Austria, Hungary, Romania, Lithuania, Latvia, Sweden, Estonia, Portugal, Greece, Slovenia, Luxembourg, Palestine, Lebanon, Ireland, Finland, Norway, Croatia, North Macedonia)

Russian-speaking regions (Russia, Ukraine, Kyrgyzstan, Uzbekistan, Moldova, Lithuania, Latvia, Georgia, Azerbaijan, Turkmenistan)

SADC (Uruguay, Paraguay, Brazil, Argentina, Chile, Colombia, Peru, Ecuador, Guyana)

North America (United States, Canada)

Can be customized:

Mongolia, Japan, Philippines, Vietnam, Laos, Cambodia, Myanmar, Thailand, Malaysia, Singapore, Indonesia, Bangladesh, India, Pakistan, Curacao, Mexico, Guatemala, Costa Rica, Australia, New Zealand, Tunisia, Algeria, Ethiopia, Tanzania, Uganda, Equatorial Guinea, Nigeria, Zambia, Mozambique, South Africa, Mauritius

---

**Capture Rate**

In the recommended installation and lighting condition, the vehicle capture rate  $\geq 99\%$

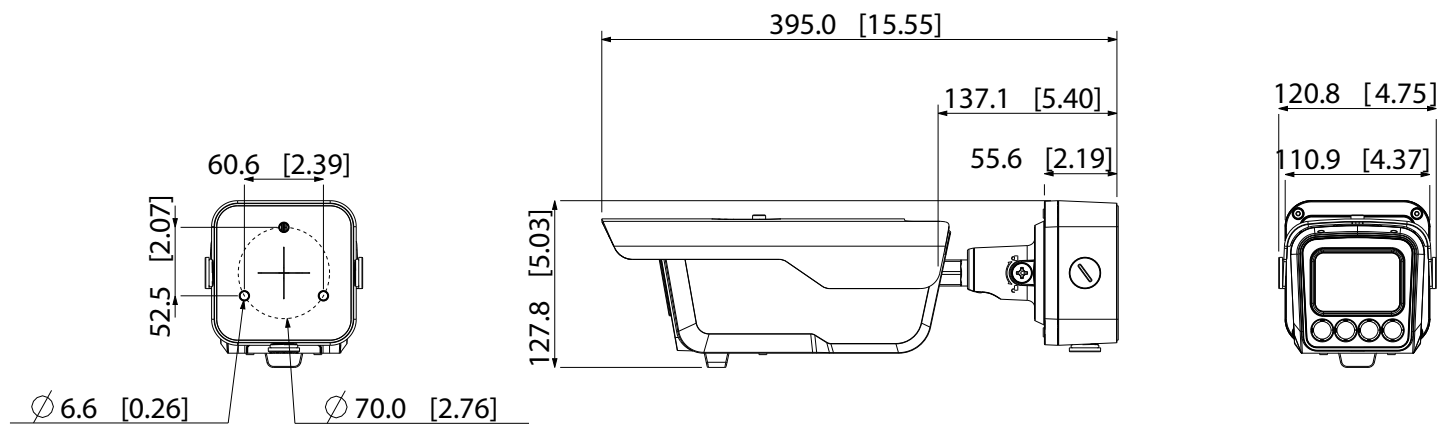
---

**Recognition Rate**

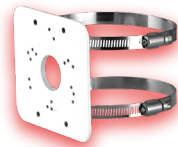
In the recommended installation and lighting condition, the recognition rate for positive and departing vehicles  $\geq 96\%$ ; the recognition rate for European vehicle plates  $\geq 98\%$

General	
<b>Remote Control</b>	Yes
<b>Communication Band</b>	433MHz; 868 MHz
<b>Remote Control Distance</b>	15m (49.21 ft) (In an open, undisturbed environment)
<b>Power Supply</b>	12 VDC, 2 A and POE:802.3at,Type 2,Class 4,(44V to 57V), 0.455A to 0.351A,max.20W
<b>Power Consumption</b>	Power consumption in different conditions: No lighting < 6 W Lighting <12 W Speaker and Red/Blue Light Warning on < 17 W
<b>Protection</b>	IK10; IP67
<b>Material</b>	Aluminum alloy body+Plastic
<b>Product Dimensions</b>	395.0 mm × 120.8 mm × 127.8 mm (15.55" × 4.76" × 5.03") (L × W × H)
<b>Net Weight</b>	2.3 kg (5.07 lb)
<b>Gross Weight</b>	3.2 kg (7.05 lb)
<b>Storage Humidity</b>	-40 °C to +70 °C (-40 °F to +158 °F)
<b>Storage Temperature</b>	≤ 95% (non-condensing)
<b>Operating Temperature</b>	-30 °C to +65 °C (-22 °F to +149 °F)
<b>Operating Humidity</b>	10%–90% (non-condensing)
<b>Certifications</b>	CE-EMC; CE-LVD; CE-RED; FCC

## Dimensions (mm[inch])



## Accessories



**POLEBRACKET01**



All specifications are subject to change without notice. Copyright © Luxrite Ltd. All rights reserved